

All stainless steel pressure gauges (case, mechanism, tube and process connection) with glycerine filled for high pressure, dual scale from 15psi up to 40,000psi, can be used in chemical processing, oil fields, paper plants, agricultural plants, water and waste water. Cases are 2.5 & 4 stainless steel, 1/4 NPT, 1/2 NPT & 1/4 HP-9/16-18 connection, polycarbonate window.



APPLICATIONS

- Hydraulic.
- Food and beverage.
- Industrial applications where pulsation, vibration and shock are present.

OPERATING SPECIFICATIONS

1. Working pressure limitations

a. Dynamic Pressure:

Working pressure should be limited to 60% of the dial range.

b. Static Pressure:

The working pressure, where no sharp fluctuations occur, should be limited to 90% of the dial range.

2. Media Temperature

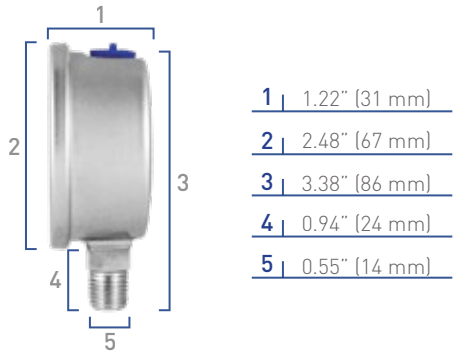
0°F to 140°F (-18°C to 60°C).

3. Ambient Temperature

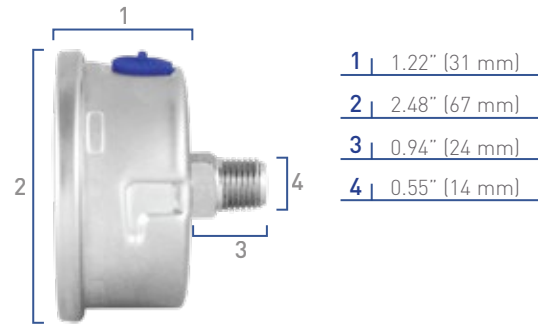
-4°F to 140°F (-20°C to 60°C).

	MODELS	SPECIFICATIONS
Case	All models	304 Stainless steel
Bezel	All models	304 Stainless steel
Lens	63-500, 63-510	Polycarbonate (Optional safety glass)
	100-500, 100-510	Tempered glass (Optional safety glass)
Bourdon tube	Models below 1000 psi	316 Stainless steel "C" bourdon tube
	Models 1000 psi and above	Helical tube
Connection	63-500, 63-510	1/4" NPT 304SS connection
	100-500, 100-510	1/2" NPT 304SS connection
Movement	All models	316 Stainless steel, Made in Germany
Accuracy	63-500, 63-510	± 1.6% Full scale
	100-500, 100-510	± 1.0% Full scale
Pointer	63-500, 63-510	Aluminum
	100-500, 100-510	Micro adjustable aluminum
Dial	All models	ABS White background with black psi scale and red kPa scale, UV Resistant
Liquid fill	All models	Glycerine

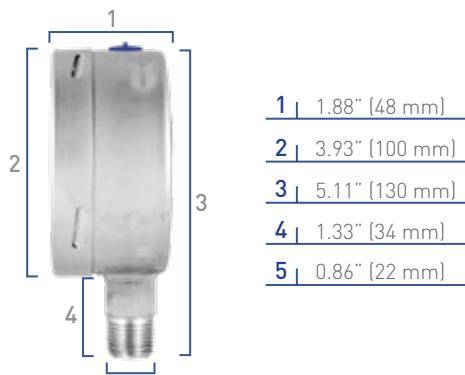
2.5" BC (Bottom Connected)



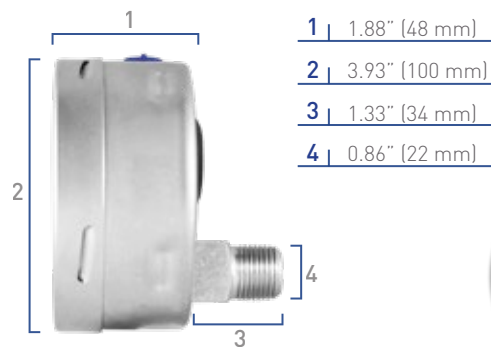
2.5 CB (Center Back Connected)



4" BC (Bottom Connected)



4" LB (Lower Back Connected)



F (Front Flange)



HOW TO ORDER

- 1 - Select Serie: SS
- 2 - Dial Size: 2.5 or 4"
- 3 - Type of Mounting: BC, CB, F or LB 4 - Pressure
- 5 - Size connected

EXAMPLE 1: **SS-2.5-BC-160PSI-1/4 NPT**

EXAMPLE 2: **SS-4-BC-10K-1/2 NPT**

- LB** = Lower-back connection
- CB** = Center-back connected
- UC** = U-Clamp, Lower-back connected
- FLB** = Front Flange, Lower-back connected
- FCB** = front flange, center back connected

Connactions Available:

Dial 2.5" 0-30 up to 10000 psi (1/4" NPT)

Dial 4" 0-500 up to 20,000 psi (1/2" NPT)

Dial 4" 0-20000 psi up to 40000 psi (1/4 HP) 9/16-18 UNF

LIMITED WARRANTY

Quartz-USA warrants this serie gauges to be free of defects in material and workmanship: Replacement of any defective gauge will be made at no cost to the purchaser. Gauge failures determined to be caused by over-range and incompatibility with environment/product media or abuse will not be considered under this warranty.